

Figure 1

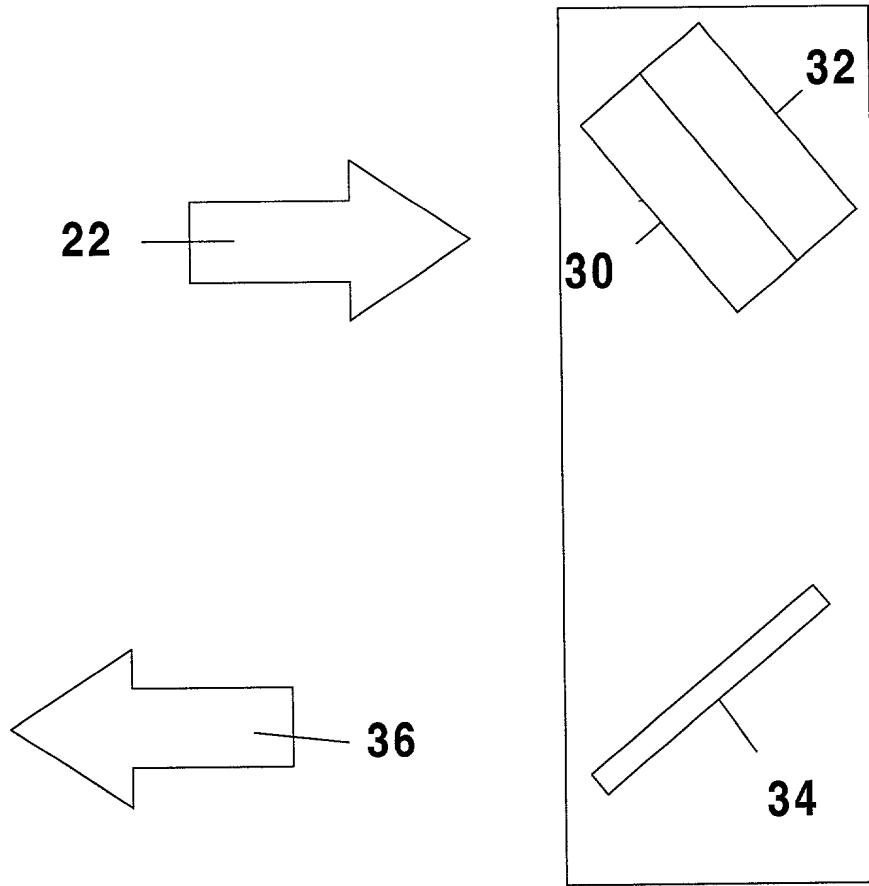


Figure 2

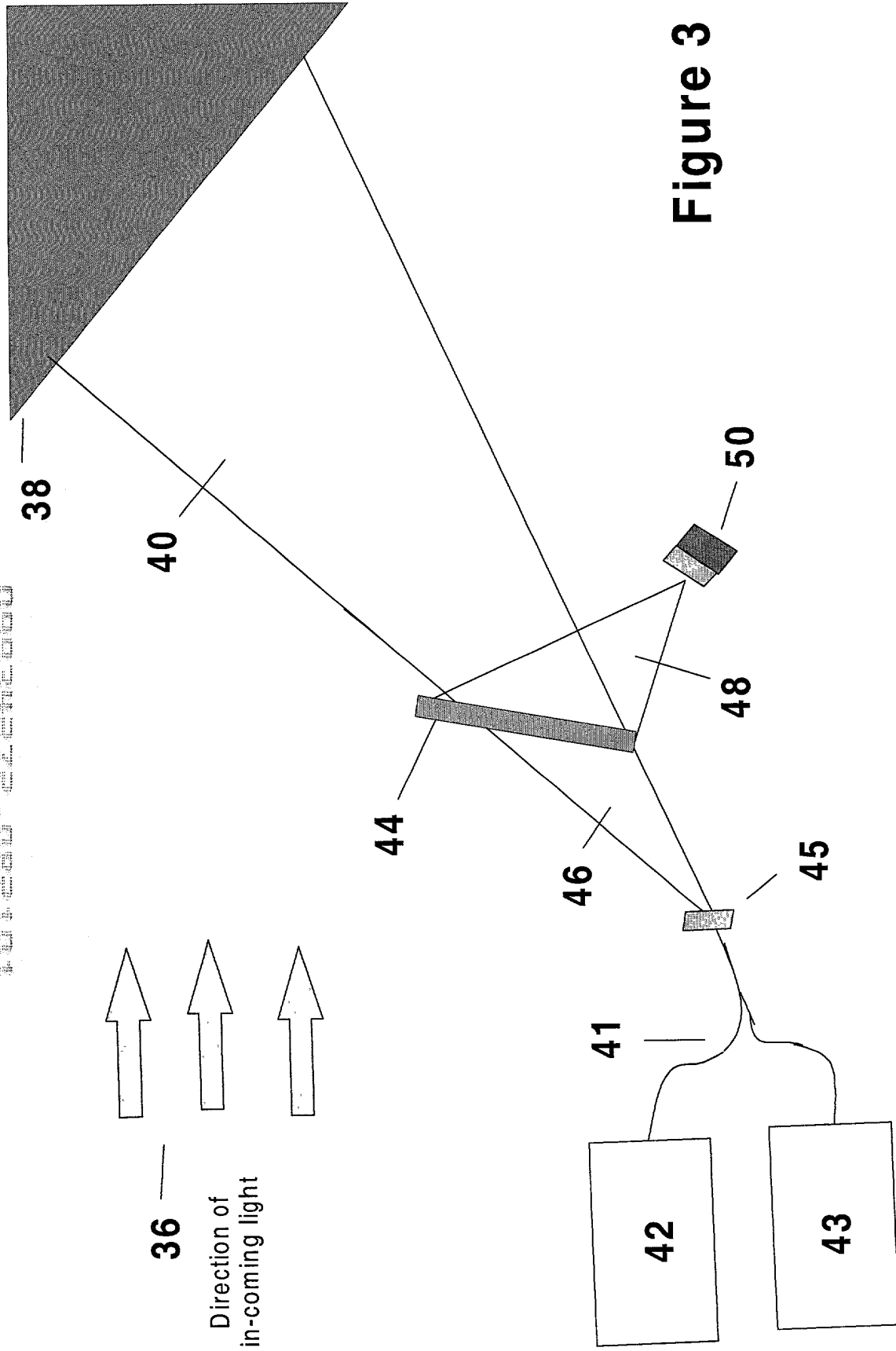


Figure 3

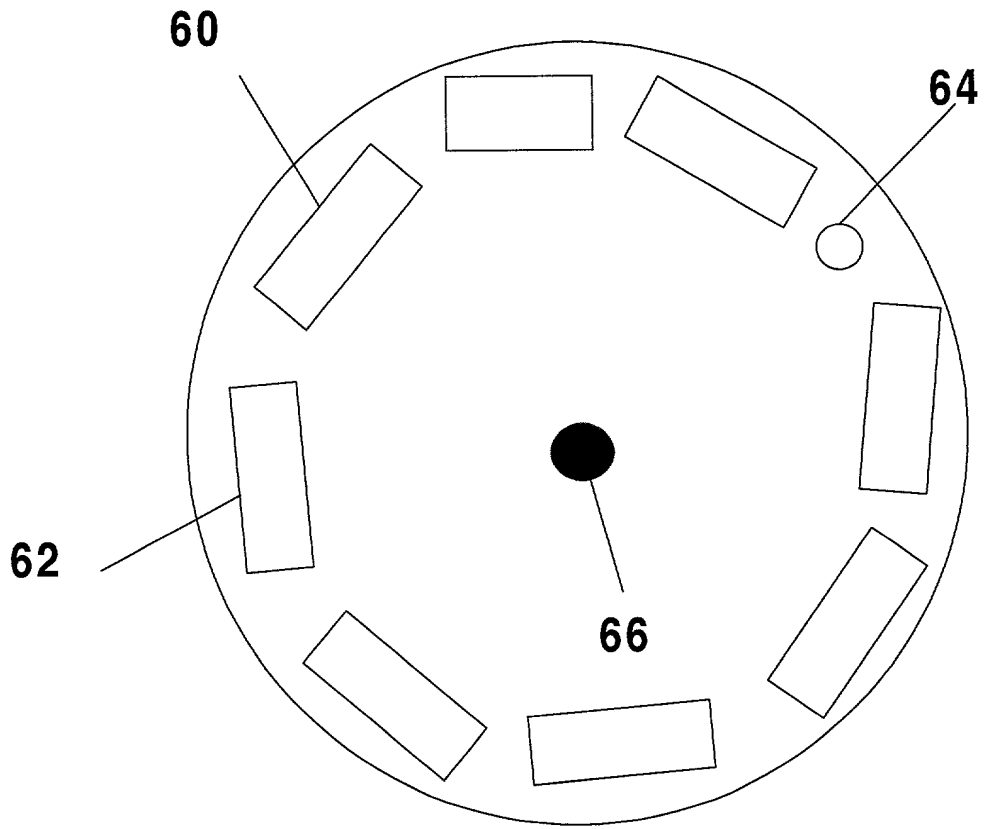


Figure 4

Downloaded from ascelibrary.org by Seattle University on 06/16/14. Copyright ASCE, For All Rights Reserved, No part of this document may be reproduced, stored in a retrieval system, or transmitted, in any form or by any means, electronic, mechanical, photocopying, recording, or by any information storage or retrieval system, without the prior written permission of the American Society of Civil Engineers.

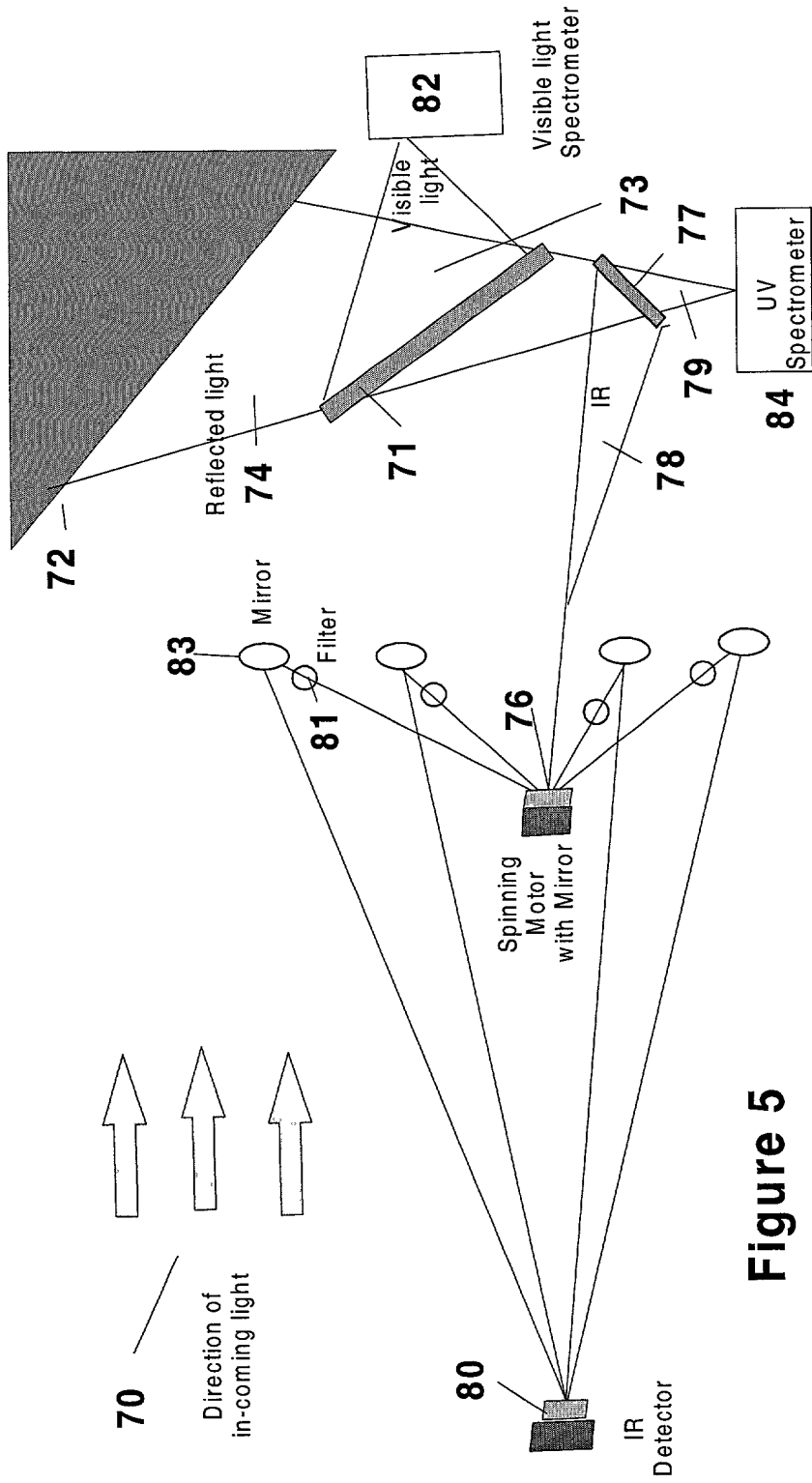


Figure 5

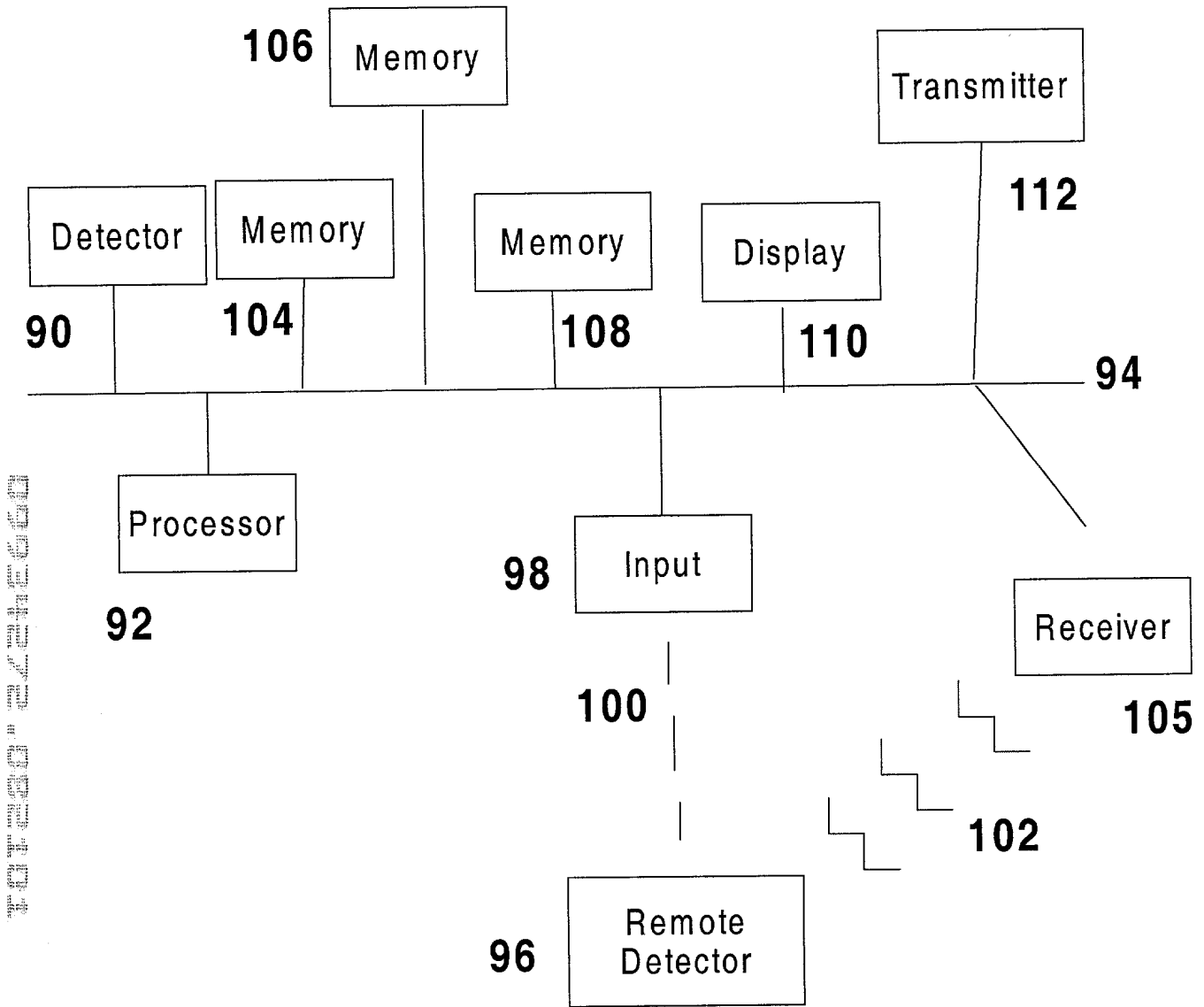


Figure 6